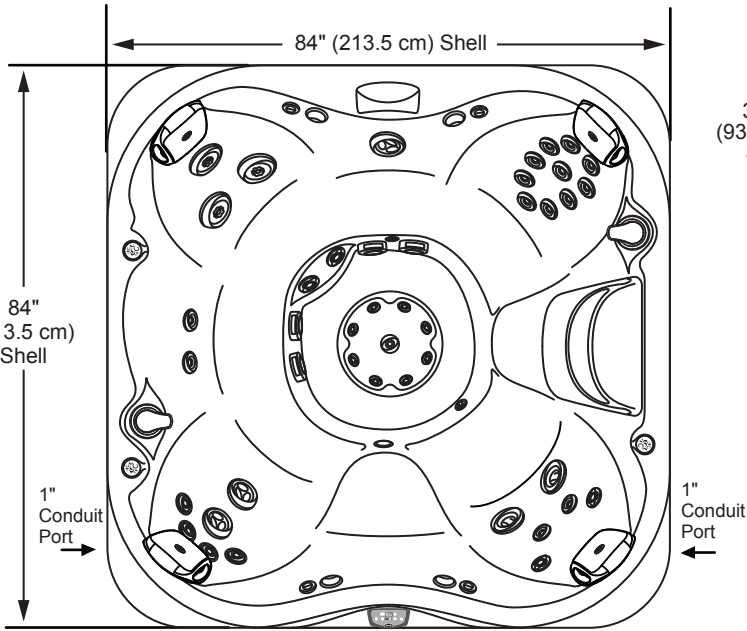


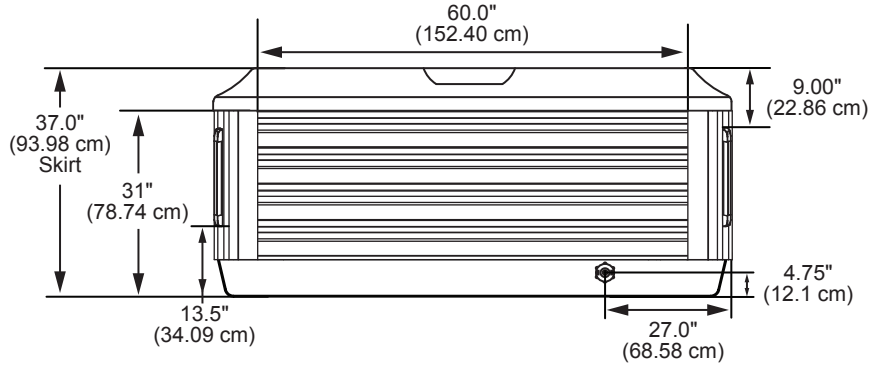
**TOP VIEW**



**FRONT**

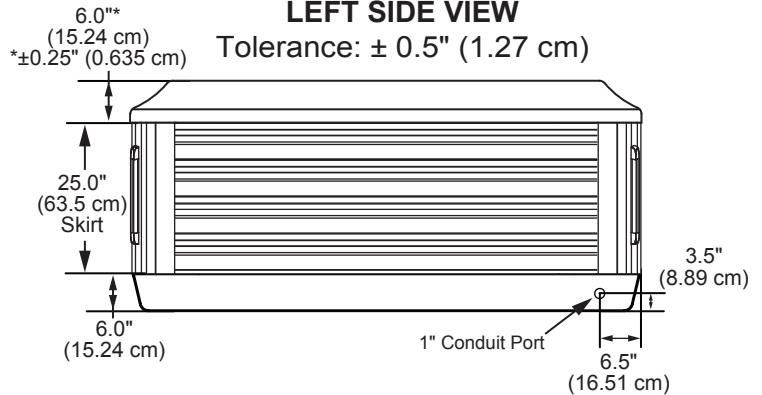
Equipment Bay/Pump Access  
CLEARARRAY, Optional BLUEWAVE,  
and Optional SmartTub Module  
behind skirt panels

**FRONT/BACK VIEW**  
Tolerance:  $\pm 0.5"$  (1.27 cm)



**LEFT SIDE VIEW**

Tolerance:  $\pm 0.5"$  (1.27 cm)

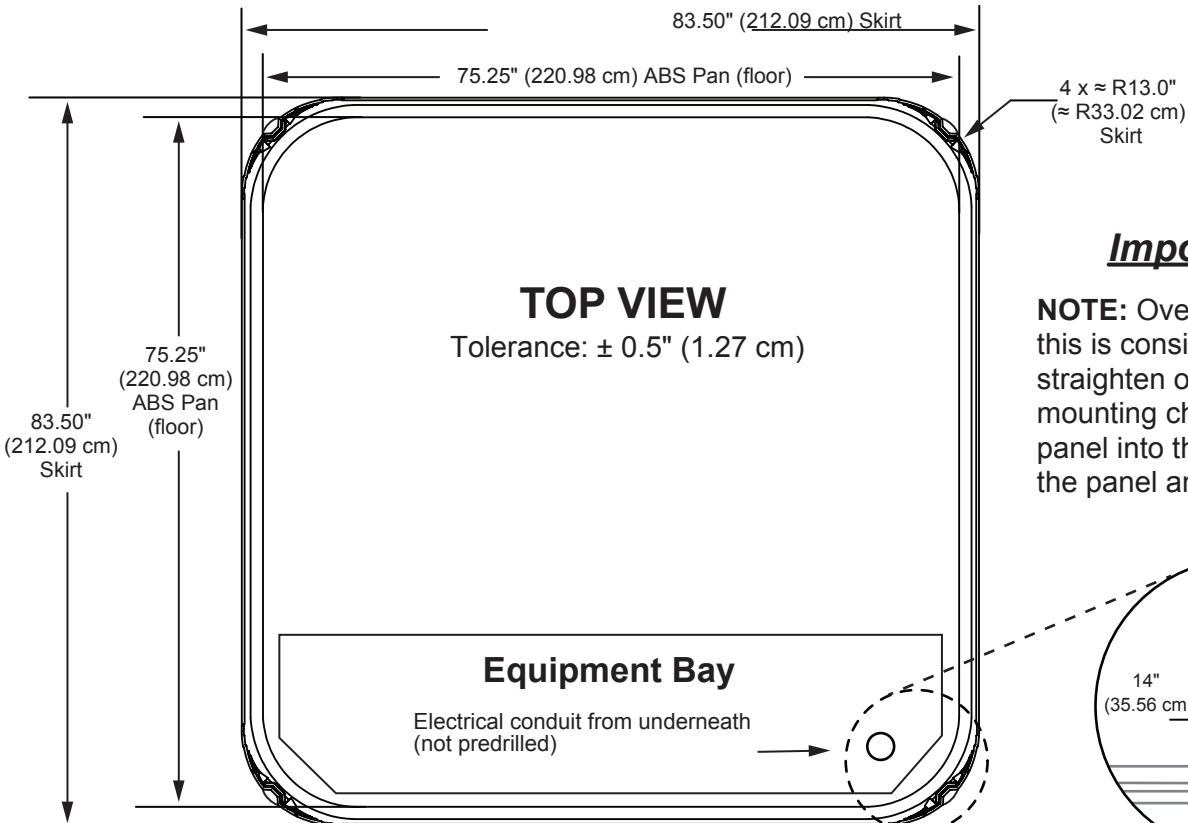


**IMPORTANT! Always measure each hot tub for exact dimensions BEFORE designing its foundational support and/or decking.**



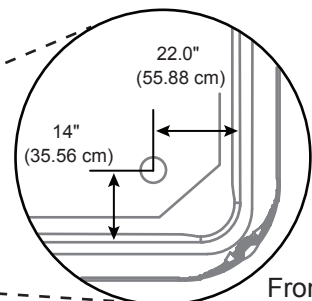
**TOP VIEW**

Tolerance:  $\pm 0.5"$  (1.27 cm)



**Important Panel Details**

**NOTE:** Over time the panel(s) may bow, this is considered normal. The panels will straighten out when reinstalled into the mounting channel. Place one end of the panel into the channel first then flatten the panel and insert the other end.



From the edge of the ABS pan